

**TOWA  
GELLER  
ELCO DATA  
ET-5616**

**SERVICE  
MANUAL**

CONTAINS: BLOCK DIAGRAMS  
CIRCUIT DESCRIPTIONS  
SCHEMATIC DIAGRAMS

**REPAIR MANUAL ONLY  
NO PROGRAMMING**

1. BLOCK DIAGRAM OF THE OVERALL CONFIGURATION

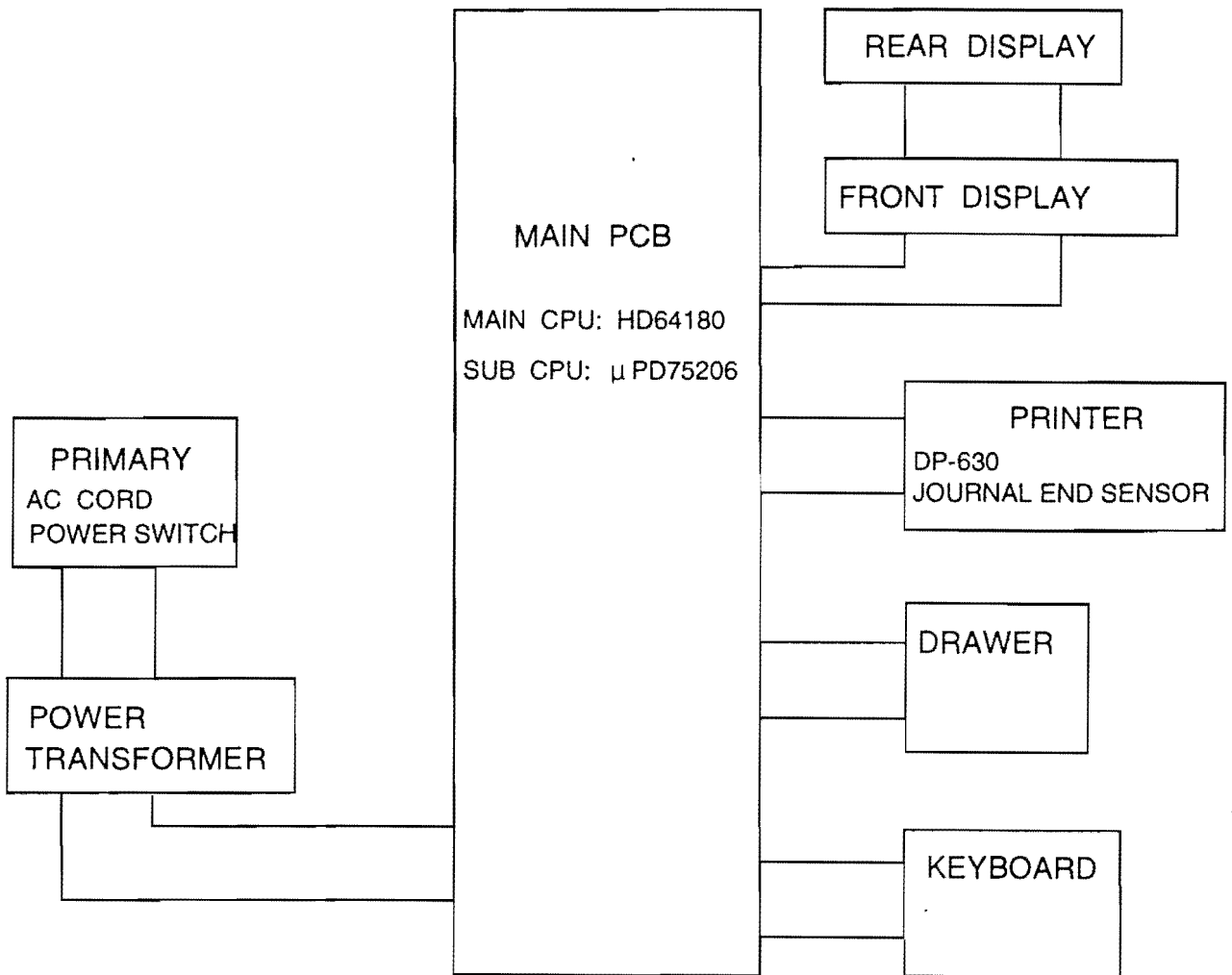


Fig.1 Block Diagram

## 2.GENERAL BLOCK DIAGRAM

This machine mainly consists of the following blocks.

- PRIMARY CIRCUIT

This circuit consists of AC cord, Power switch, Ring core for noise suppression.

- POWER TRANSFORMER

This transformer becomes 28.4V AC power from the commercial power supply source and will be supplied to Main P.C.B. through 2 pin connector.

- MAIN LOGIC BOARD

Mounted CPU, SUB-CPU,ROM,RAM and power supply control circuit on Main logic board and also control other units.

- KEYBOARD

Keyboard unit consists of data entry key, control lock key, and used for data input, or normal registration.

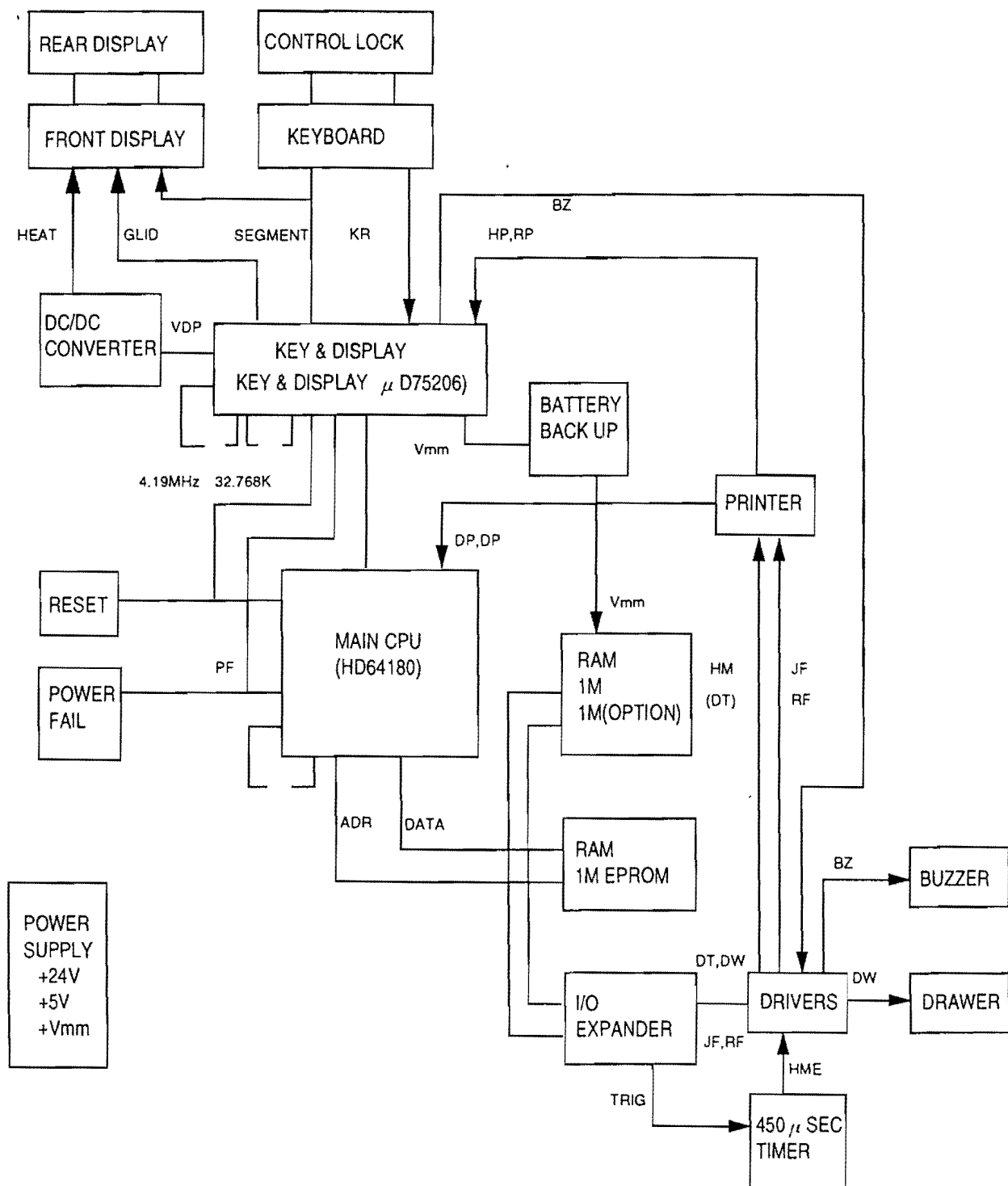
- DISPLAY UNIT

There is two types of flourescence display (Front and Rear).

Front display used for operator of cash register and other one (rear)is for customer.

- PRINTER

Model: Citizen DP-630, 2 station 9 pin dot matrix printer used.



This is a “Table of Contents preview” for quality assurance

The full manual can be purchased from our store:

[https://the-checkout-tech.com/manuals/towa/ET-5616 service manual.html](https://the-checkout-tech.com/manuals/towa/ET-5616%20service%20manual.html)

And our free Online Keysheet maker:

<https://the-checkout-tech.com/Cash-Register-Keysheet-Creator/>

[HTTPS://THE-CHECKOUT-TECH.COM](https://THE-CHECKOUT-TECH.COM)